

Contact

Company	Contact	Date
Street	E-mail	Request- No.
Location	Phone	Requested delivery date

Working position	Angle in °	Positioning fixed flexible	Indexing accuracy
Swing circle diameter in mm		Drive arrangement	Paint RAL
Mass moment of inertia (MTM) J in kgm ²		Indexing time in s	Transported load in kg

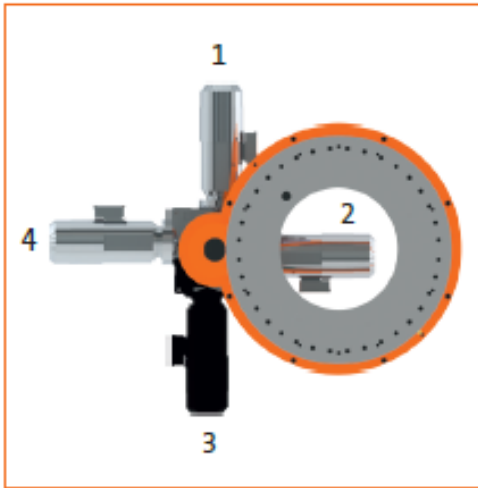
Additional accessories	Additional accessories	Painting Machine stands RAL
without accessories	additional table top	
indexing unit	customer drilling pattern	
centre hole extended	machine stands	

Drive motor	Drive	Electrical control
SEW (Standard)	1 drive	drive inverter SEW
Siemens	2 drive	without drive inverter
without (prepared)		
special version		
customer supplied		

Additional information	Website FIBRO
	data sheets
	download

Drive arrangement

1 drive



Drive arrangement

2 drive

